

DIMENSIONS (mm)

Width: 1279
Depth: 1296
Height: 1013 or 1032
Width of passage: 650 or 800 or 900
Glass height: 905 or 1303

CONSTRUCTION

Simplified fixing to a foundation due to glued anchor bolts (anchors not included)

FLOW RATE

12 people per min / 5 sec per cycle

Did you know?

Most suppliers quote a machine value flow rate as opposed to a practical one. We provide honest and achievable flow rates.

DATASHEET

SPEED GATES

Safetell's Speed Gates provide an aesthetically pleasing entrance control and anti-tailgating solution to a building or secure area. Typical applications include airports, authorised personnel entry points, government buildings, corporate buildings, museums, theatres, arenas, stadiums, leisure centres and gyms.

MAIN FEATURES

- Easy set up – a control panel equipped with a display and a multi-function selector allows easy setup of functions and operating modes
- LED icons show active/inactive traffic directions in the passage
- Sound signalling – an alarm sounds when an unusual situation occurs, e.g. two people trying to pass in the same or opposite directions without authorisation, unauthorised access or an unauthorised object within the movement detection area
- Emergency exit – the gate remains open in the event of a power failure
- Sensor array – system software detects if two people try to pass through at one time or an unauthorised person tries to enter
- Overload protection – all gates have additional overload protection systems to stop the wings and sound an alarm if an obstacle is detected
- Standard finish is stainless steel

OPTIONAL

- Optional finishes include RAL 9003, RAL 7016, RAL 5010, RAL 6002
- Glazing colour finishes include clear, dark grey, dark blue, bronze



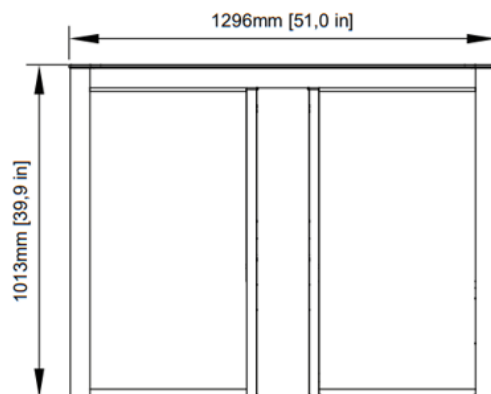
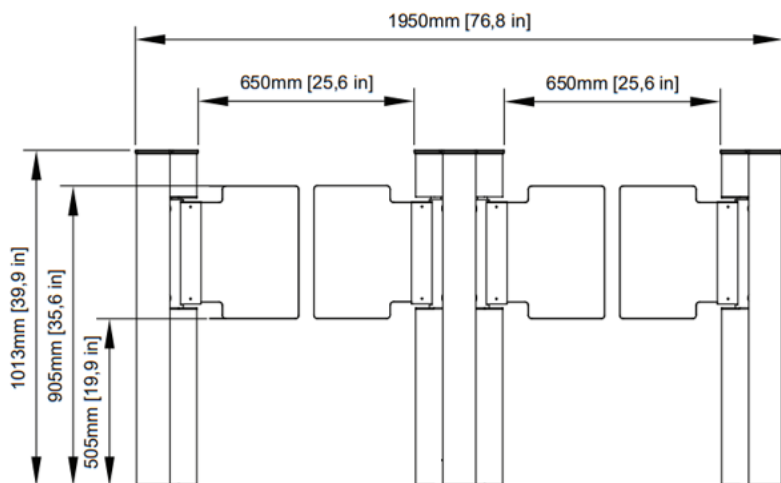
SERVICE &
MAINTENANCE
AVAILABLE

+44 (0) 1322 223 233

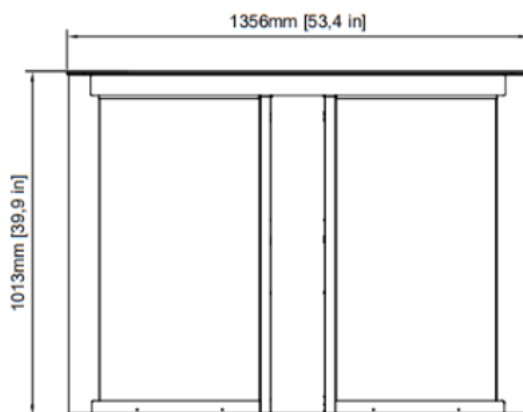
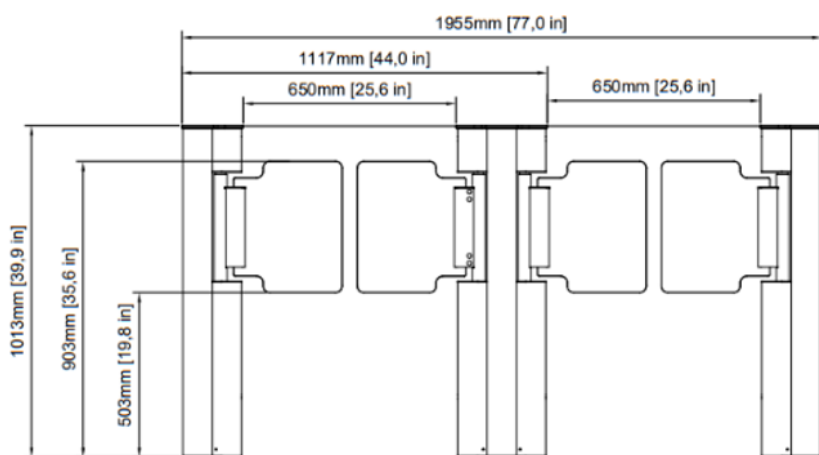
sales@safetell.co.uk safetell.co.uk

TECHNICAL DRAWINGS

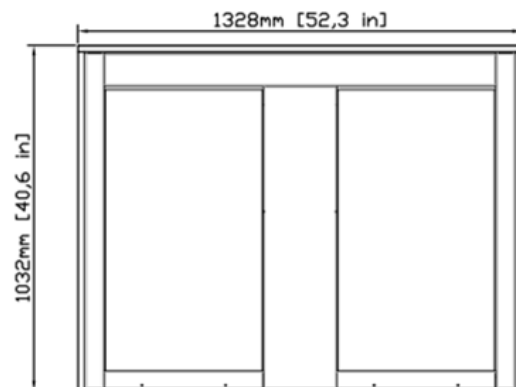
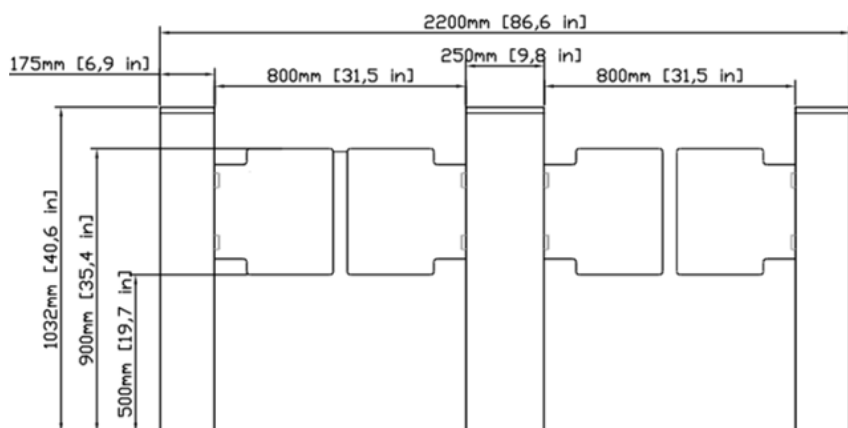
SQUARE CAB



ROUND CAB

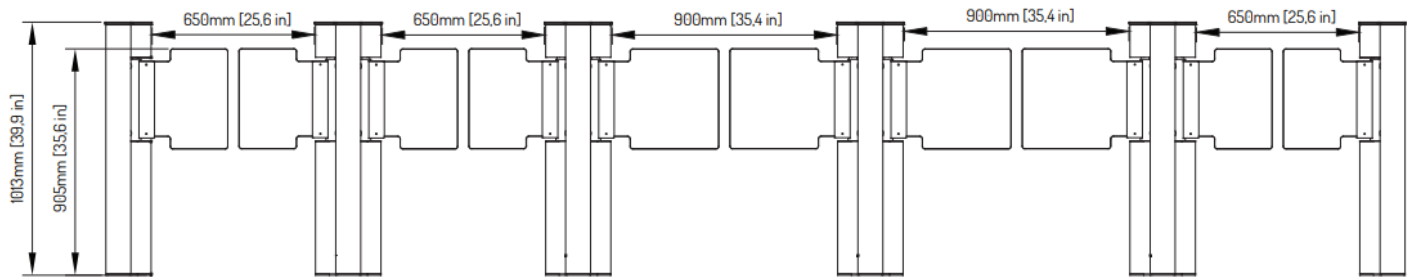


TWO TONE SQUARE CAB

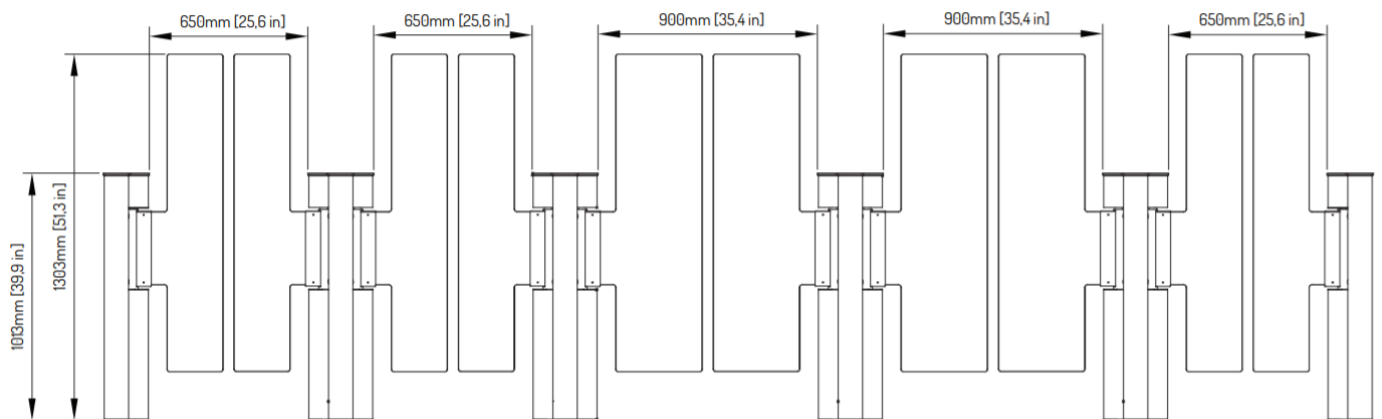


TECHNICAL DRAWINGS

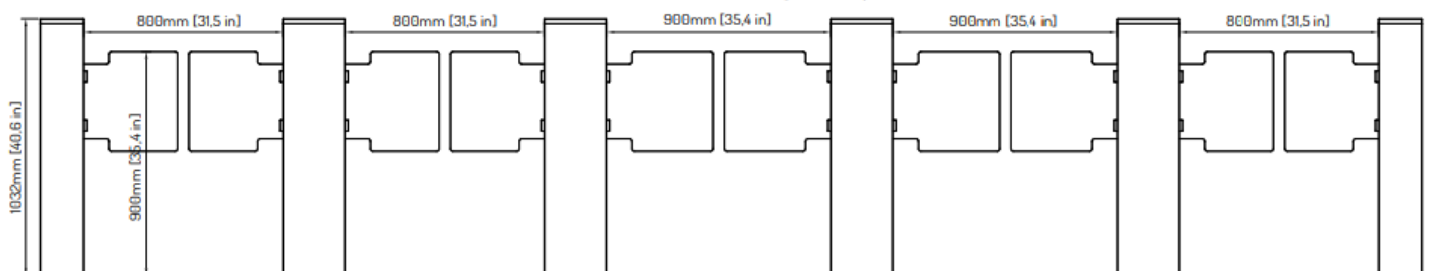
SQUARE CAB/ROUND CAB



SQUARE CAB/ROUND CAB



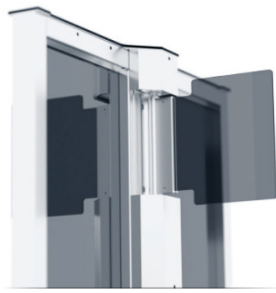
TWO TONE SQUARE CAB



FINISHES



CLEAR



DARK GREY



DARK BLUE



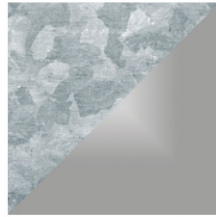
BRONZE



INOX



GALVANISED



GALVANISED + RAL



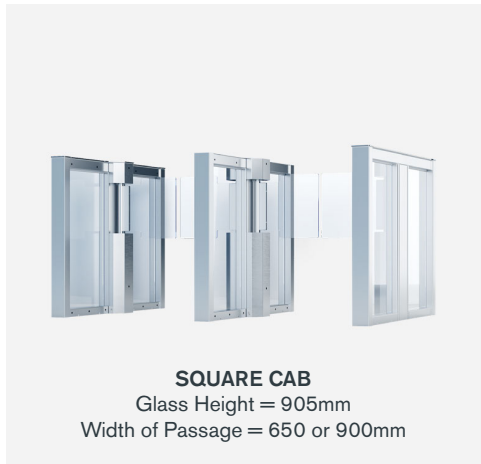
RAL 5010



RAL 9003



RAL 7016



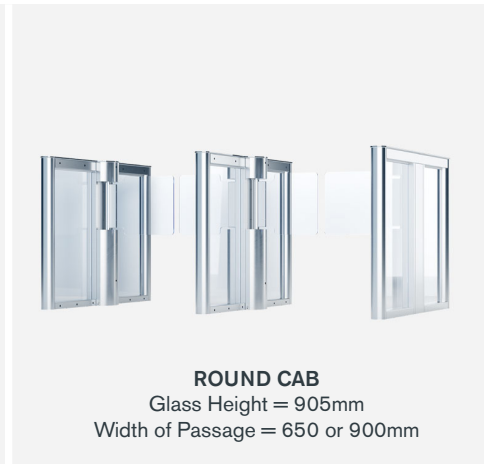
SQUARE CAB

Glass Height = 905mm
Width of Passage = 650 or 900mm



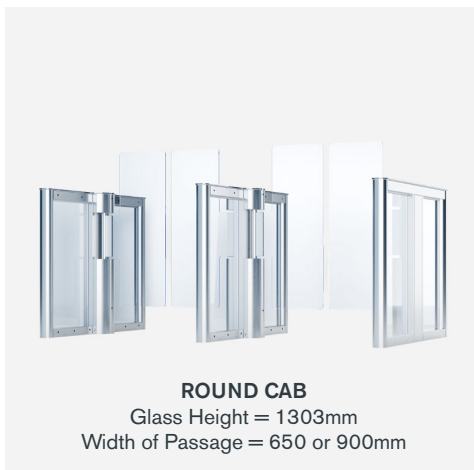
SQUARE CAB

Glass Height = 1303mm
Width of Passage = 650 or 900mm



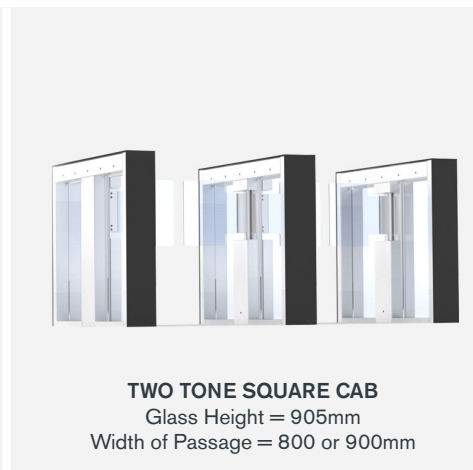
ROUND CAB

Glass Height = 905mm
Width of Passage = 650 or 900mm



ROUND CAB

Glass Height = 1303mm
Width of Passage = 650 or 900mm



TWO TONE SQUARE CAB

Glass Height = 905mm
Width of Passage = 800 or 900mm

WE ARE FULLY ACCREDITED



+44 (0) 1322 223 233

